

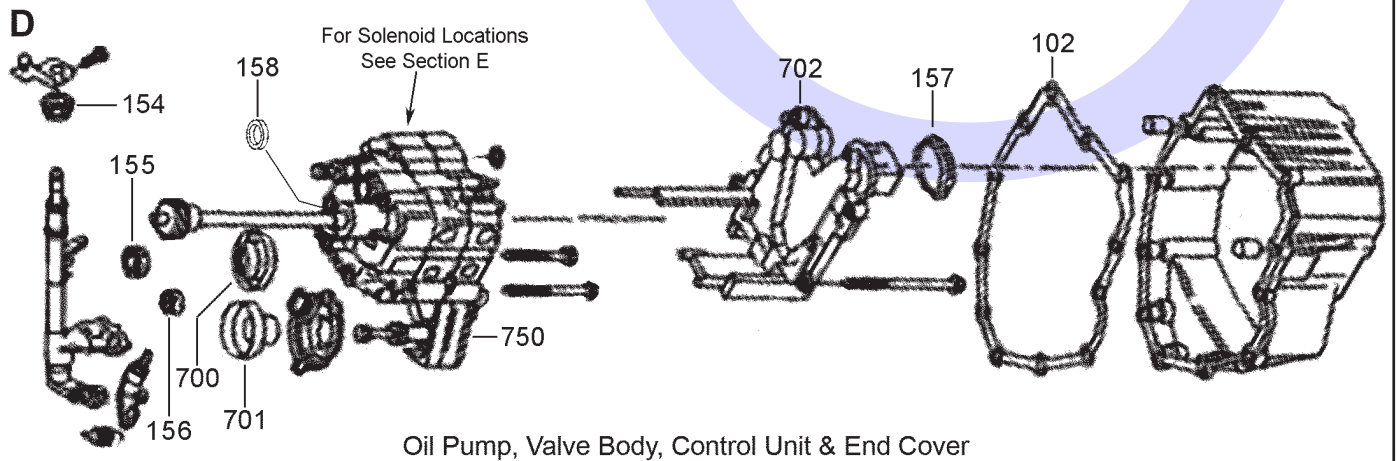
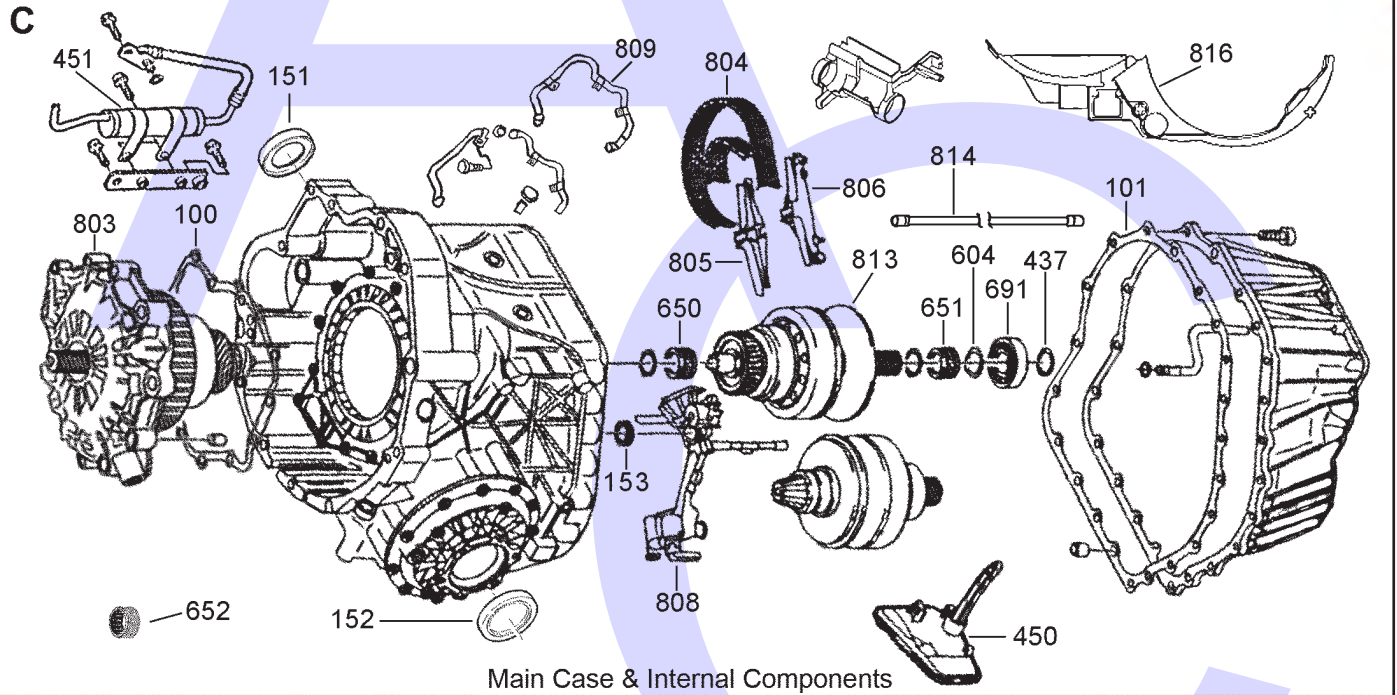
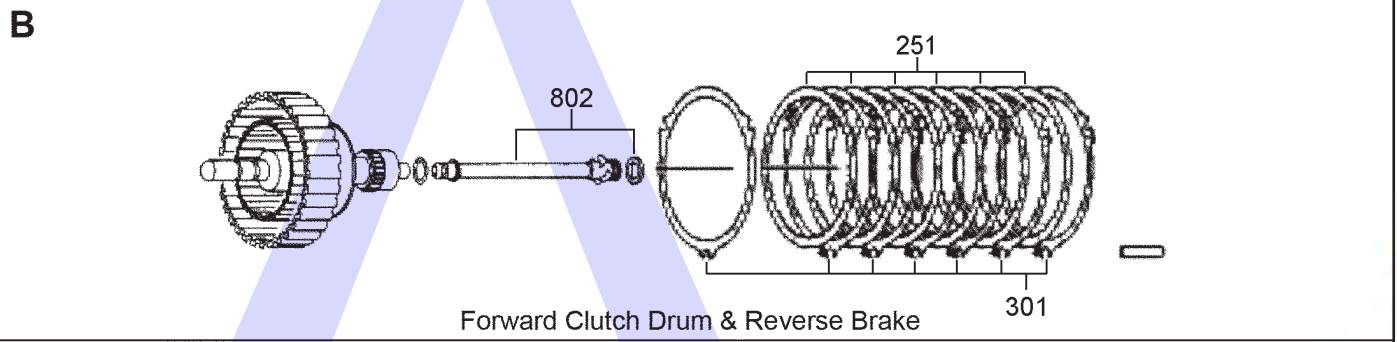
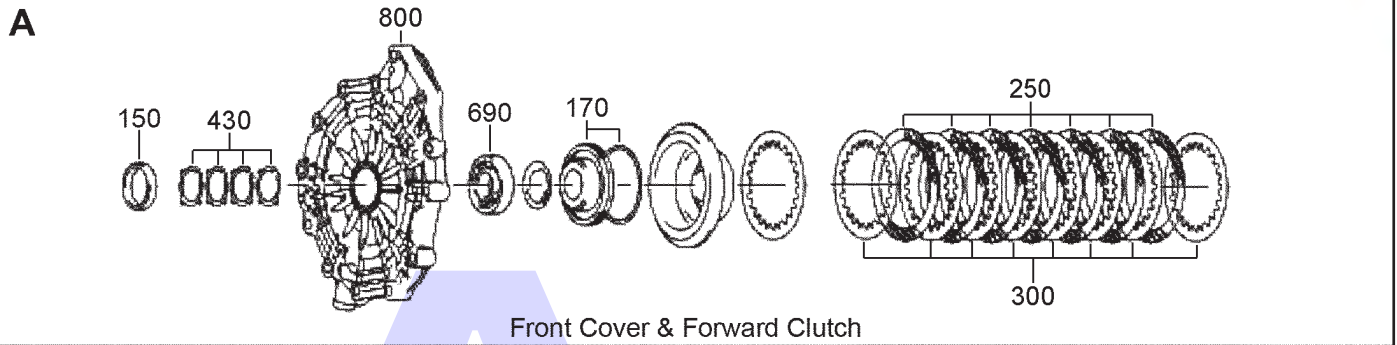
# 01J & 0AN (Multitronic) In Line FWD CVT (Electronic Control)



AUTOMATIC CHOICE



THE AUTOMATIC TRANSMISSION PARTS WAREHOUSE



# 01J & 0AN (Multitronic) In Line FWD CVT (Electronic Control)

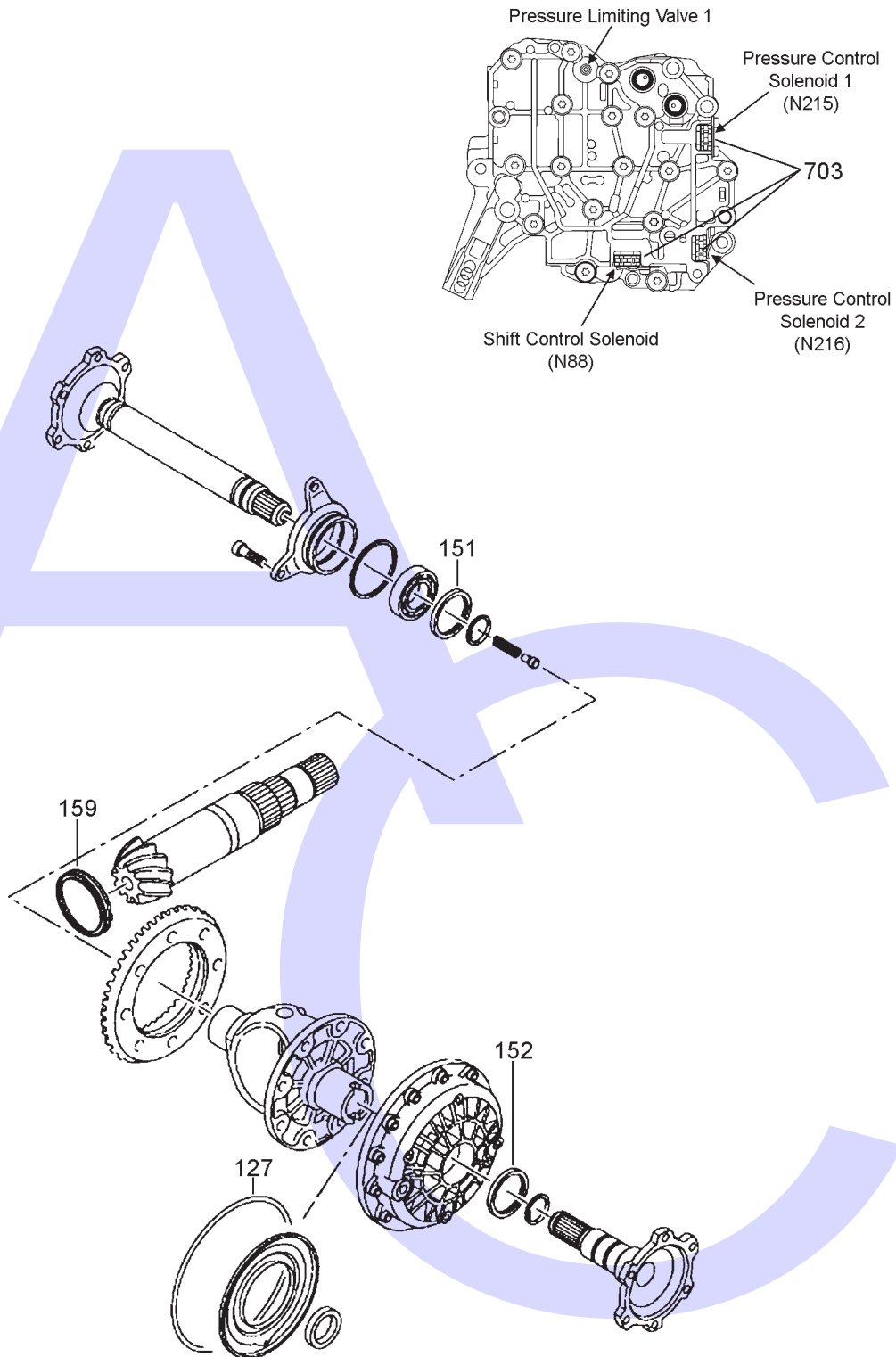


AUTOMATIC CHOICE



THE AUTOMATIC TRANSMISSION PARTS WAREHOUSE

E



Differential Assembly

# 01J & 0AN (Multitronic)

## In Line FWD CVT (Electronic Control)



AUTOMATIC CHOICE



THE AUTOMATIC TRANSMISSION PARTS WAREHOUSE

ILL NO.	DESCRIPTION	YEARS	QTY	PART NO
<b>KITS</b>				
Kit	Overhaul Kit (Transec) (Read Note Below).....	01-ON	1	<b>01J.OHK02</b>
Kit	Overhaul Kit (Aftermarket) (Read Note Below).....	01-ON	1	<b>01J.OHK01</b>
Kit	Overhaul Kit (Precision) (Read Note Below).....	01-ON	1	<b>01J.OHK03</b>
Kit	Overhaul Kit (MFC) (Read Note Below).....	01-ON	1	<b>01J.OHK05</b>
<p><b>Important Note:</b> These kits do not contain the forward clutch piston inner Teflon seal. Damaging this seal will make rebuild impossible. They also do not contain the forward clutch feed tube.</p>				
<b>GASKETS</b>				
100C	Front Cover.....	01-ON	1	<b>01J.GAS01</b>
101C	Main Case.....	01-ON	1	<b>01J.GAS02</b>
102D	Rear Cover.....	01-ON	1	<b>01J.GAS03</b>
<b>RUBBER COMPONENTS</b>				
127E	Diff Cover 'O' Ring .....	01-ON	1	<b>AR4.OR01</b>
NI	'O' Ring Cooler Connector .....	01-ON	2	<b>5HP19.OR06</b>
<b>METAL CLAD SEALS</b>				
150A	Front Cover Seal.....	01-ON	1	<b>01J.MCS01</b>
151E	Drive Shaft R/Hand.....	01-ON	1	<b>VW010.MCS03</b>
152E	Drive Shaft L/Hand.....	01-ON	1	<b>VW010.MCS03</b>
153C	Entrainment Pump .....	01-ON	1	<b>01J.MCS05</b>
154D	Manual Shaft (30/22mm x 11.50mm x 12mm)	01-ON	1	<b>01J.MCS03</b>
155D	Oil Feed Tube Seal (23mm ID) .	01-ON	1	<b>01J.MCS07</b>
156D	Oil Feed Tube Seal (12mm ID) .	01-ON	5	<b>01J.MCS06</b>
157D	Case Connector (Round Type) .	01-ON	1	<b>01J.MCS08</b>
157D	Case Connector (Oval Type) ....	01-ON	1	<b>01J.MCS09</b>
158D	Oil Pump .....	01-ON	1	<b>01J.MCS10</b>
159E	Double Lip Seal (102mm x 63.50mm x 9.50mm)	01-ON	1	<b>01J.MCS02</b>
<b>PISTONS</b>				
170A	Forward Clutch With Seal .....	01-ON	1	<b>01J.PIS01</b>
NI	Reverse Clutch (Part of 01J.COV01) .....	01-ON	1	<b>01J.PIS02</b>
<b>SEALING RINGS</b>				
<b>CLUTCH KITS</b>				
Kit	Friction & Steel Kit (Forward Clutch 7 frictions, 6 Steels) (Use with 3.0Ltr Petrol & 1.9Ltr, 2.5Ltr Diesel Only) (OEM Update) <a href="#">(Click here for More Info)</a> .....	01-ON	1	<b>01J.CK01</b>
Kit	Friction & Steel Kit (Forward Clutch 6 frictions) (Use with 1.8Ltr, 2.0Ltr & 2.4Ltr Petrol Vehicles Only) (OEM) <a href="#">(Click here for More Info)</a> .....	01-ON	1	<b>01J.CK05</b>
Kit	Friction & Steel Kit (OEM) (Reverse Brake).....	01-ON	1	<b>01J.CK02</b>

ILL NO.	DESCRIPTION	YEARS	QTY	PART NO
<b>FRICTION PLATES</b>				
Kit	Friction Plate Forward & Reverse (Alto) (Suits 6 Plate Clutches only).....	01-ON	1	<b>01J.FRK51</b>
250A	Forward Clutch (AM) (2.70mm, 6 Plate Clutch Only) ..	01-ON	6	<b>01J.FRP02</b>
250A	Forward Clutch (AM) (2.03mm, 7 Plate Clutch Only) ..	01-ON	7	<b>01J.FRP03</b>
251B	Reverse Clutch (OEM).....	01-ON	6	<b>01J.FRP31</b>
251B	Reverse Clutch (Alto).....	01-ON	6	<b>01J.FRP01</b>
<b>STEEL PLATES</b>				
Kit	Steel Plate (Alto) (Suits 6 Plate Clutches only).....	01-ON	1	<b>01J.STK51</b>
Kit	Forward Clutch Selective Steel Plates (OEM) (10 Plates, 2 Each Size Selective) .....	01-ON	1	<b>01J.CK03</b>
Kit	Reverse Brake Selective Steel Plates (OEM) (10 Plates, 2 Each Size Selective) .....	01-ON	1	<b>01J.CK04</b>
300A	Forward Clutch Selective (1.90mm Thick) .....	01-ON	AR	<b>01J.STP01</b>
	(2.15mm Thick) .....	01-ON	AR	<b>01J.STP02</b>
	(2.65mm Thick) .....	01-ON	AR	<b>01J.STP03</b>
	(2.90mm Thick) .....	01-ON	AR	<b>01J.STP04</b>
	(3.15mm Thick) .....	01-ON	AR	<b>01J.STP05</b>
301B	Reverse Brake Selective (1.90mm Thick) .....	01-ON	AR	<b>01J.STP06</b>
	(2.15mm Thick) .....	01-ON	AR	<b>01J.STP07</b>
	(2.65mm Thick) .....	01-ON	AR	<b>01J.STP08</b>
	(2.90mm Thick) .....	01-ON	AR	<b>01J.STP09</b>
	(3.15mm Thick) .....	01-ON	AR	<b>01J.STP10</b>
<b>SPRINGS &amp; CIRCLIPS</b>				
430A	Circlip Kit, Input Drum to Cover (1 each 1.63mm, 1.72mm, 1.81mm & 1.90mm) .....	01-ON	1	<b>01J.CIR01</b>
437C	Circlip Kit, Primary Shaft to Rear Bearing (1.80mm - 1.95mm) .....	01-ON	1	<b>01J.CIR02</b>
<b>FILTERS</b>				
450C	Pick Up Filter.....	01-ON	1	<b>01J.FIL01</b>
450C	Pick Up Filte (High Oval Inlet)...	01-ON	1	<b>01J.FIL03</b>
451C	In Line Filter .....	01-ON	1	<b>01J.FIL02</b>
<b>BUSHINGS</b>				
<b>THRUST WASHERS &amp; BEARINGS</b>				
604C	Shim Kit, Primary Shaft to Rear Bearing (1.20mm - 2.20mm) .....	01-ON	1	<b>01J.SHI01</b>
650C	Needle Bearing, Primary Drum (Front) .....	01-ON	1	<b>01J.BE02</b>
651C	Needle Bearing, Primary Drum (Rear).....	01-ON	1	<b>01J.BE03</b>
652D	Needle Bearing, Drawn Cup Open Ended (10mm x 14mm x 10mm) .....	01-ON	1	<b>01J.BE05</b>
690A	Front Cover Bearing (Ball Race) .....	01-ON	1	<b>01J.BE01</b>
691C	Bearing, Primary Drum (Rear) (Ball Race) .....	01-ON	1	<b>01J.BE04</b>



# 01J & 0AN (Multitronic) In Line FWD CVT (Electronic Control)



AUTOMATIC CHOICE



THE AUTOMATIC TRANSMISSION PARTS WAREHOUSE

ILL NO.	DESCRIPTION	YEARS	QTY	PART NO
<b>ELECTRICAL COMPONENTS</b>				
700D	Secondary Pickup Sensor.....	01-ON	1	<b>01J.ELE01</b>
701D	Primary Pickup Sensor .....	01-ON	1	<b>01J.ELE02</b>
702D	Transmission ECU (01J, 0AN) (VIN Required).....	01-ON	1	<b>01J.ELE21</b>
702D	Transmission ECU (Repair).....	01-ON	1	<b>01J.ELE31</b>
703E	Solenoid, N88, N215, N216 (Sonnax® <a href="#">Click here for Info</a> ) ...	01-ON	1	<b>01J.SOL01</b>
<b>VALVE BODY PARTS</b>				
750D	Valve Body & Oil Pump (01J) (VIN Required).....	01-ON	1	<b>01J.VBxx</b>
Kit	Safety Valve, Oversize Requires AG4.VA05 Universal Fixture & Toolkit 01J.VA02 (Sonnax® <a href="#">Click here for Info</a> ) ...	01-ON	1	<b>01J.VA01</b>
Kit	Toolkit for 01J.VA01 (Sonnax®).....	01-ON	AR	<b>01J.VA02</b>
Kit	Clutch Control Valve, Oversize (No Notches) Requires AG4.VA05 Universal Fixture & Toolkit 01J.VA05 (Sonnax® <a href="#">Click here for Info</a> ) ...	01-ON	1	<b>01J.VA03</b>
Kit	Clutch Control Valve, Oversize (With Notches) Requires AG4.VA05 Universal Fixture & Toolkit 01J.VA05 (Sonnax® <a href="#">Click here for Info</a> ) ...	01-ON	1	<b>01J.VA04</b>
Kit	Toolkit for 01J.VA03 & 01J.VA04 (Sonnax®).....	01-ON	AR	<b>01J.VA05</b>
Kit	Volumetric Flow Rate, Oversize Requires AG4.VA05 Universal Fixture & Toolkit 01J.VA07 (Sonnax® <a href="#">Click here for Info</a> ) ...	01-ON	1	<b>01J.VA06</b>
Kit	Toolkit for 01J.VA06 (Sonnax®).....	01-ON	AR	<b>01J.VA07</b>
Kit	VSTV Pilot Pressure Valve, Oversize ( <b>Late</b> ) Requires AG4.VA05 Universal Fixture & Toolkit 01J.VA10 (Sonnax® <a href="#">Click here for Info</a> ) ...	01-ON	1	<b>01J.VA08</b>
Kit	VSTV Pilot Pressure Valve, Oversize ( <b>Early</b> ) Requires AG4.VA05 Universal Fixture & Toolkit 01J.VA10 (Sonnax® <a href="#">Click here for Info</a> ) ...	01-ON	1	<b>01J.VA09</b>
Kit	Toolkit for 01J.VA08 & 01J.VA09 (Sonnax®).....	01-ON	AR	<b>01J.VA10</b>
Kit	UV Adjustable End Plug (Sonnax® <a href="#">Click here for Info</a> ) ...	01-ON	1	<b>01J.VA11</b>
Kit	UV Reduction Valve Kit, Oversized Requires AG4.VA05 Universal Fixture & Toolkit 01J.VA13 (Sonnax® <a href="#">Click here for Info</a> ) ...	01-ON	1	<b>01J.VA12</b>
Kit	Toolkit for 01J.VA12 (Sonnax®).....	01-ON	AR	<b>01J.VA13</b>
<b>HARD PARTS</b>				
800A	Front Cover Assy (With Bearing & Rev Piston).....	01-ON	1	<b>01J.COV01</b>
802B	Tube, Forward Clutch Feed Pipe (With Sealing Ring).....	01-ON	1	<b>01J.TU01</b>
802B	Tube, Forward Clutch Feed Pipe (Modified Type) .....	01-ON	1	<b>01J.TU03</b>
803C	Input Drum & Cover Assy (7 Plate). 01-ON	01-ON	1	<b>01J.DRU32</b>
803C	Input Drum & Cover Assy (7 Plate A6 2.0, 2.7 Diesel) Codes <b>LDQ, LDU, LDV</b> .....	01-ON	1	<b>0AN.DRU31</b>
804C	Drive Chain, Early Style (15mm Thick) (Use With 01J.RET03/04).....	01-ON	1	<b>01J.CH01</b>

ILL NO.	DESCRIPTION	YEARS	QTY	PART NO
<b>HARD PARTS Cont...</b>				
804C	Drive Chain, Late Style (13mm Thick, <b>0AN</b> ) (Fits Box Codes: <b>HJB, KTG, JZK, HSB</b> ) (Use With 01J.RET01/02).....	07-ON	1	<b>01J.CH02</b>
805C	Chain Guide (13mm, Front) (Use With 01J.CH02).....	01-ON	1	<b>01J.RET02</b>
805C	Chain Guide (15mm, Front) (Use With 01J.CH01).....	01-ON	1	<b>01J.RET04</b>
806C	Chain Guide (13mm, Rear) (Use With 01J.CH02).....	01-ON	1	<b>01J.RET01</b>
806C	Chain Guide (15mm, Rear) (Use With 01J.CH01).....	01-ON	1	<b>01J.RET03</b>
808C	Entrainment Pump W./Extra Lug (Need Box Code <a href="#">Click for Info</a> ) Will also Require 01J.MCS05 ...	01-ON	1	<b>01J.PUM04</b>
808C	Entrainment Pump W./Extra Lug (Need Box Code <a href="#">Click for Info</a> ) Will also Require 01J.MCS05 ...	01-ON	1	<b>01J.PUM05</b>
808C	Entrainment Pump <b>A4</b> (Codes: HJB, KTG, JZK, KYV) <b>A6</b> (Codes: KSV, KEV, KSW, KED, KRW) Will also Require 01J.MCS05 ...	01-ON	1	<b>01J.PUM06</b>
809C	Breather Pipe .....	01-ON	1	<b>01J.TU02</b>
813C	Primary Drum & Shaft Assembly (51 Teeth 4 ID Grooves) (Fits <b>A4</b> Codes: FSG, FSK, FSL, FYU, FZH, GEC, GHR, GHY, GHZ, GJA, GWC, GWN, GWW, GWX, HPP, HPQ, HPR, HSA, JBZ, JLC, JLD, JLE, JZT) (Fits <b>A6</b> Codes: FSC, FSA, FWL, GHD, GHF, GHP, GHQ, GJS, GJT, HPL, HPM, HPN, HSN, HSQ, HSR, HSS, JBX, JLF, JLG, JLH, JQL, JZJ, KYQ, KYR, LDP, LDQ)	01-ON	1	<b>01J.DRU01</b>
813C	Primary Drum & Shaft Assembly (54 Teeth 1 ID Groove) (Fits <b>A4</b> Codes: FSD, GEB, GHW, GZF, FRC, FYX, GHT, GWQ, GZM, HBD, GZL, HED, JZQ, KTP, LDJ) (Fits <b>A6</b> Codes: FRW, FRY, GLY, GHK, GWZ, GWG, GAC)	01-ON	1	<b>01J.DRU02</b>
813C	Primary Drum & Shaft Assembly (57 Teeth 2 ID Grooves) (Fits <b>A4</b> Codes: EVE, FSF, GGS, GHV, GHU, HBH, GWU, HCP, HAY, GWS, HBC, GWR, FSE, HBE, HBG, HHD, JZM)	01-ON	1	<b>01J.DRU03</b>
813C	Primary Drum & Shaft Assembly (29 Teeth Small Gear, 36 Teeth Large Gear) (Fits <b>A4</b> Codes: GYJ, HEJ, HEK, HHF, JZT, JZU) (Fits <b>A6</b> Codes: GYZ, HSZ, JFL, JQL, JZJ)	01-ON	1	<b>01J.DRU05</b>
813C	Primary Drum & Shaft Assembly (For 0AN Transmission A6 2.0, 2.7 Diesel) (Fits <b>A6</b> Codes: LDQ, LDU, LDV)	08-ON	1	<b>0AN.DRU01</b>
814C	Tube, Reverse Clutch Pressure Feed .....	01-ON	1	<b>01J.TU04</b>
816C	Reverse Clutch Oil Baffle.....	01-ON	1	<b>01J.BA01</b>
<b>SPECIAL ITEMS</b>				
Oil	Special Fluid Required For 01J & 0AN Transmissions 1 Litre Bottle.....	01-ON	AR	<b>01J.OIL01</b>
	20 Litre Canister.....	01-ON	AR	<b>01J.OIL02</b>
<b>Note:</b> Initial filling approx. 7.5 Ltr. Oil change, 4.5 - 5.0 Ltr.				
NI	Dual Mass Flywheel (1.9L TDi, 2.0L TDi).....	00-ON	1	<b>01J.FLY01</b>
NI	Dual Mass Flywheel (Audi A4/A6 2.5L TDi) .....	01-06	1	<b>01J.FLY02</b>

# 01J & 0AN (Multitronic) In Line FWD CVT (Electronic Control)



AUTOMATIC CHOICE



THE AUTOMATIC TRANSMISSION PARTS WAREHOUSE

ILL NO.	DESCRIPTION	YEARS	QTY	PART NO
<b>SPECIAL ITEMS Cont...</b>				
NI	Dual Mass Flywheel (Audi A4 2.0L TFSi).....	11/04-03/09	1	01J.FLY03
NI	Dual Mass Flywheel (Audi A6 2.0L TDI).....	04-11	1	01J.FLY04
<b>TOOLS &amp; MANUALS</b>				
NI	ATSG Repair Manual.....	01-ON		01J.MAN01
NI	ATSG Technicians Guide CD....	01-ON		01J.MAN02
<p><a href="#">Click here to view special tools for this transmission</a></p>				

ILL NO.	DESCRIPTION	YEARS	QTY	PART NO